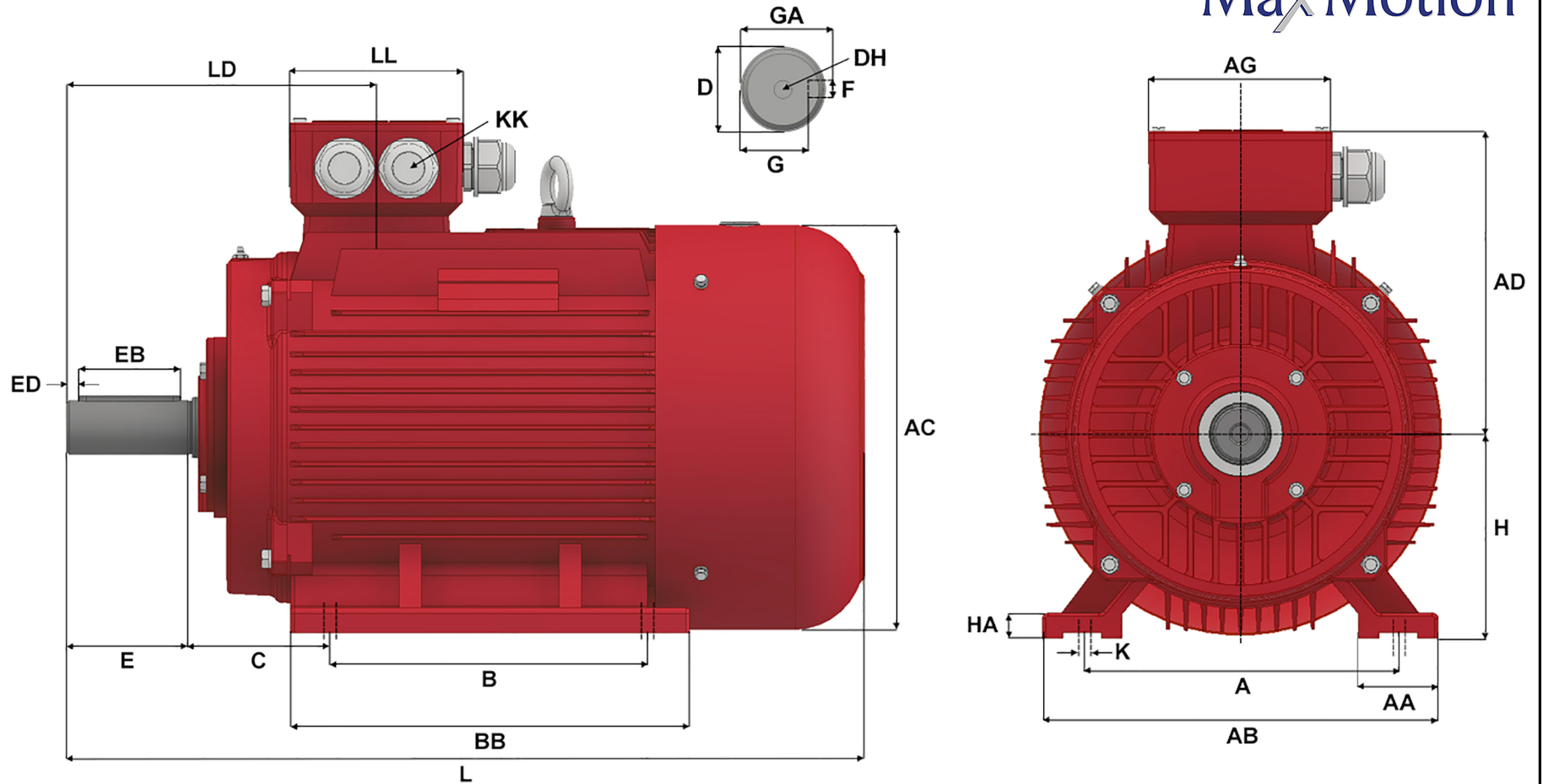


MaxMotion



Version: 1JLEM				Revised: 09-11-2019			HP	RPM	FRAME	ENCLOSURE	IJC280S-2-B3		
Customer is responsible in determining that Max Motion product will fit/perform suitably in the intended application							100	3570	280S	TEFC			
A	B	C	D	E	F	G	H	K	L	AA	AB	AC	
457	368	190	65	140	18	58	280	4 - Ø 24	982	85	542	547	
AD	AG	BA	BB	DH	EB	ED	GA	HA	KK (1)	KK (2)	KK (3)	LD	
387	248	0	485	M20 X 42	125	7.5	69	35	M63 X 1.5	2" NPT	M16 X 1.5	355.5	
LL													
218													